

PRODUCT INFORMATION PACKET

Model No: 056C11G5306

Catalog No: G650

0.25 HP Explosion Proof Motor, 1 phase, 1200 RPM, 115/208-230 V, 56 Frame, EPFC
Explosion Proof NEMA Motors



Regal and Marathon are trademarks of Regal Beloit Corporation or one of its affiliated companies.
©2020 Regal Beloit Corporation, All Rights Reserved. MC017097E

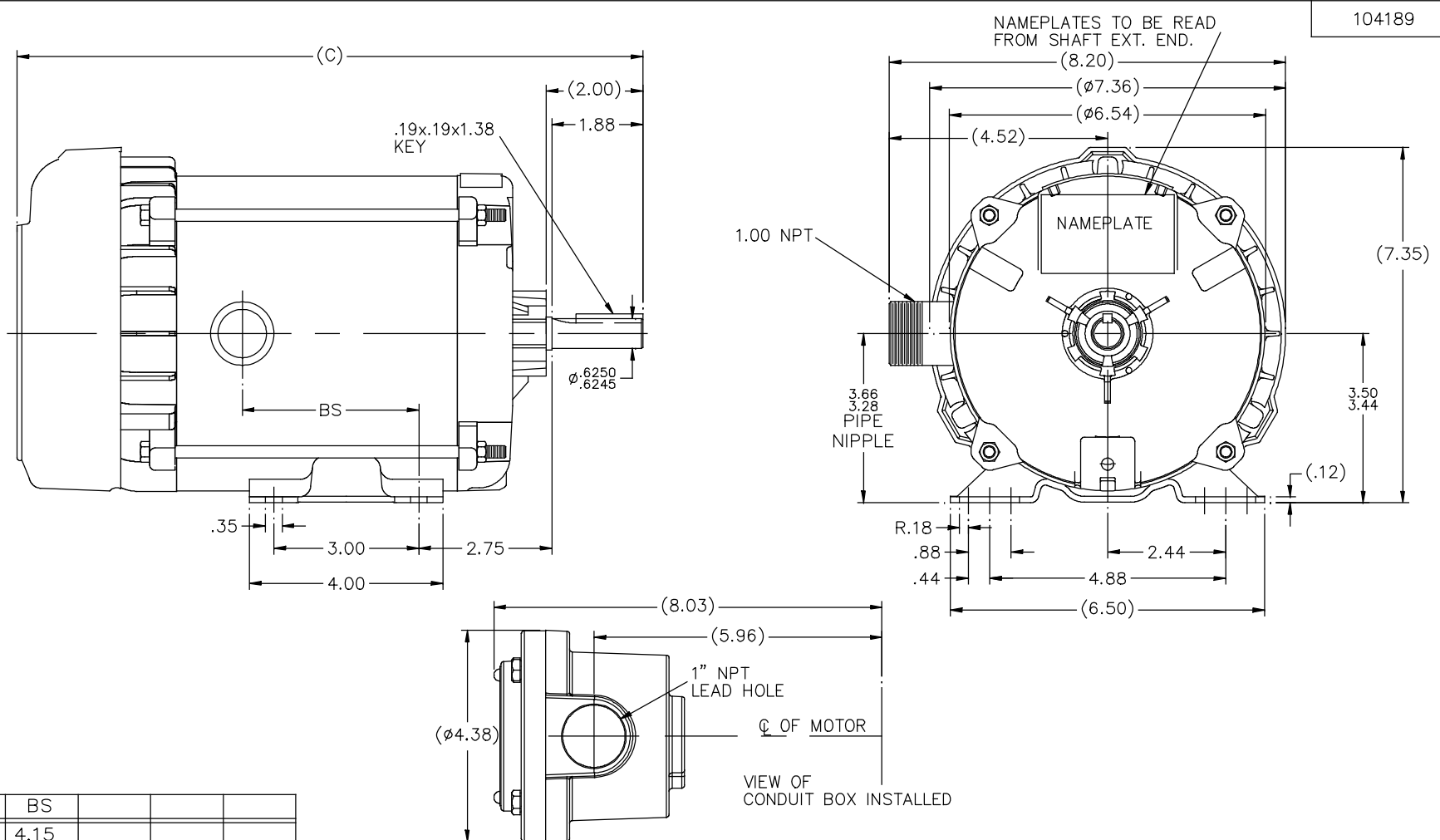
REGAL

Nameplate Specifications

Output HP	0.25 Hp	Output KW	0.19 kW
Frequency	60 Hz	Voltage	115/208-230 V
Current	6.8/3.1-3.4 A	Speed	1140 rpm
Service Factor	1	Phase	1
Efficiency	47.5 %	Power Factor	51.2
Duty	Continuous	Insulation Class	B
Design Code	NO DESIGN CODE	KVA Code	N
Frame	56	Enclosure	Explosion Proof Fan cooled
Thermal Protection	Automatic	Ambient Temperature	40 °C
Drive End Bearing Size	6203	Opp Drive End Bearing Size	6203
UL	UL Listed And CSA Certified	CSA	Y
CE	N	IP Code	54
Hazardous Location	EXP PROOF CL I GR C&D CL II GR F&G T3B		

Technical Specifications

Electrical Type	Capacitor Start Induction Run	Starting Method	Across The Line
Poles	6	Rotation	Selective Counterclockwise
Resistance Main	0 Ohms	Mounting	Rigid base
Motor Orientation	Horizontal	Drive End Bearing	Ball
Opp Drive End Bearing	Ball	Frame Material	Rolled Steel
Shaft Type	NEMA 56	Overall Length	13.94 in
Frame Length	6.81 in	Shaft Diameter	0.625 in
Shaft Extension	2 in	Assembly/Box Mounting	F1 ONLY
Connection Drawing	102005-84	Outline Drawing	104189-681



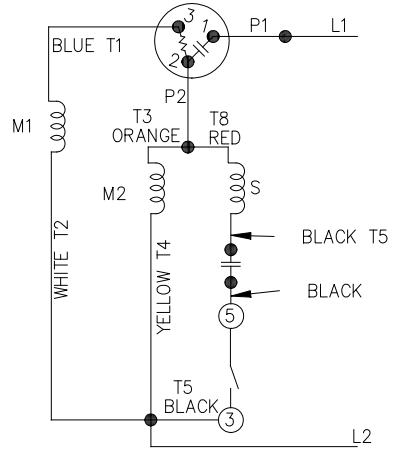
104189

DASH	(C)	BS			
631	13.44	4.15			
681	13.94	4.65			
731	14.44	5.15			
781	14.94	5.65			
831	15.44	6.15			
881	15.94	6.65			
931	16.44	7.15			
981	16.94	7.65			

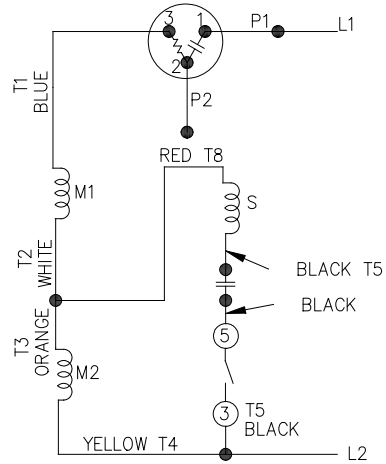
				TOLERANCES UNLESS SPECIFIED		REGAL™ Regal Beloit America, Inc.		DRAWN MH 11-20-1996	
				DEC.	INCHES			CHK	ML 12-02-1996
4	COND. BOX INSTALLED VIEW UPDATED PER ECR-0044571	UD	10/15/13	ST	.X	±.1		APPD	GK 12-02-1996
3	REVISED C'BOX PER CN40784A	JJB	02/23/2007	ML	.XX	±.03	TITLE OUTLINE	SCALE	1=2
2	ADDED CONDUIT BOX VIEW CN 26686	MRB	03-22-1998		.XXX	±.005	56 FR. - EXP. PR. - TEFC - 1 ϕ & 3 ϕ	REF	
1	NEW DRAWING CN 23099	MH	12-02-1996		.XXXX	±.0005	MAT'L	FMF	
NO.	REVISION	BY & DATE		CHK	ANG	±7'30"	FINISH	PREV	
THIS DRAWING IN DESIGN AND DETAIL IS OUR PROPERTY AND MUST NOT BE USED EXCEPT IN CONNECTION WITH OUR WORK. ALL RIGHTS OF DESIGN AND INVENTION ARE RESERVED. THIS IS AN ELECTRONICALLY GENERATED DOCUMENT - DO NOT SCALE THIS PRINT				RFP	CAD FILE 104189			SIZE	DRAWING NO. PAGE OF REV.
				DIST	WP			B	104189 4

102005-84

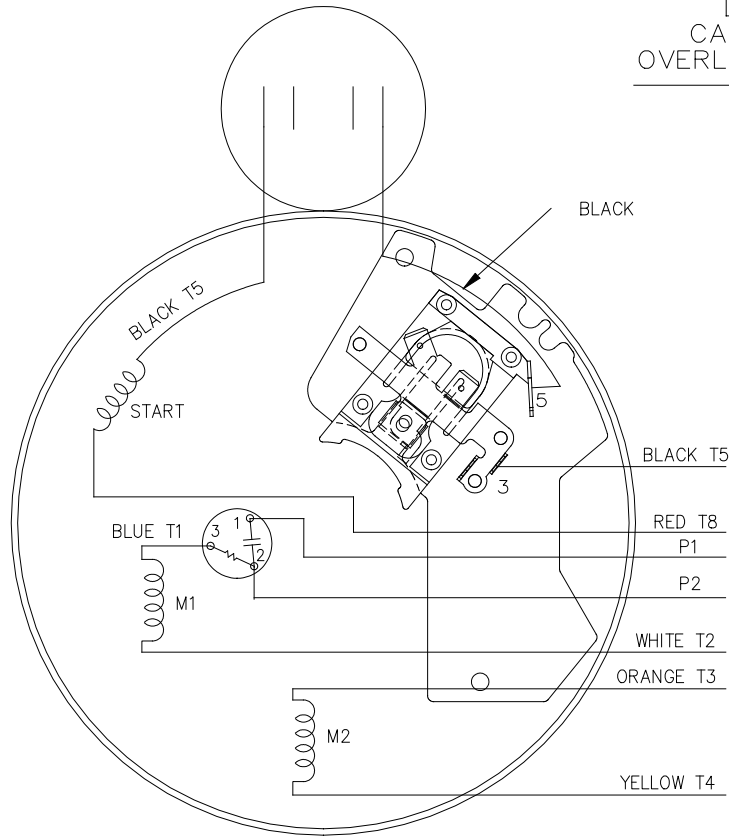
LOW VOLTAGE - C.C.W.



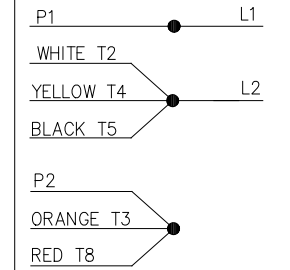
HIGH VOLTAGE - C.C.W.



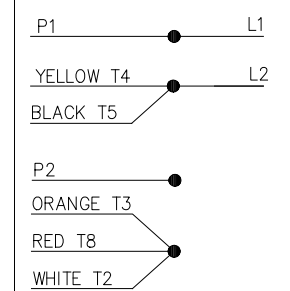
DUAL VOLTAGE
CAPACITOR START
OVERLOAD SELECT ROT.



LOW VOLT. - C.C.W. ROT.

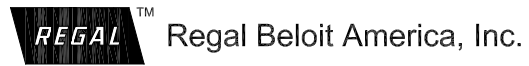


HIGH VOLT. - C.C.W. ROT.



FOR C.W. ROTATION
EITHER VOLTAGE
INTERCHANGE RED(T8)
WITH BLACK(T5) LEAD

NO.	REVISION	BY & DATE	CHK	ANG	TOLERANCES UNLESS SPECIFIED		FINISH	DRAWN PGK 07-16-1996				
					DEC.	INCHES						
5	UPDATED TEMPLETE	MVG 12/11/2017	PVR	.X	±.1			CHK MRB 07-18-1996				
4	REV'D CONNECTION TO MATCH ROTATION ISAAC 07-2021	JJB 09/05/2007	ML	.XX	±.02		TITLE CONNECTION DIAGRAM	APPD GK 07-18-1996				
3	ADDED T NO.'S MU16064	MH 08-09-1997		.XXX	±.005			SCALE 5=8				
2	REDRAWN ON CADD, NO CHANGES	PGK 07-18-1996		.XXXX	±.0005		MAT'L.	REF				
				ANG	±7'30"			FMF				
								PREV				
THIS DRAWING IN DESIGN AND DETAIL IS OUR PROPERTY AND MUST NOT BE USED EXCEPT IN CONNECTION WITH OUR WORK ALL RIGHTS OF DESIGN AND INVENTION ARE RESERVED THIS IS AN ELECTRONICALLY GENERATED DOCUMENT - DO NOT SCALE THIS PRINT							RFP	CAD FILE 102005_84	SIZE A	DRAWING NO. 102005-84	PAGE OF 5	REV. 5
							DIST WP					





MARATHON ELECTRIC CORPORATION
TYPICAL PERFORMANCE CURVE for AC MOTOR

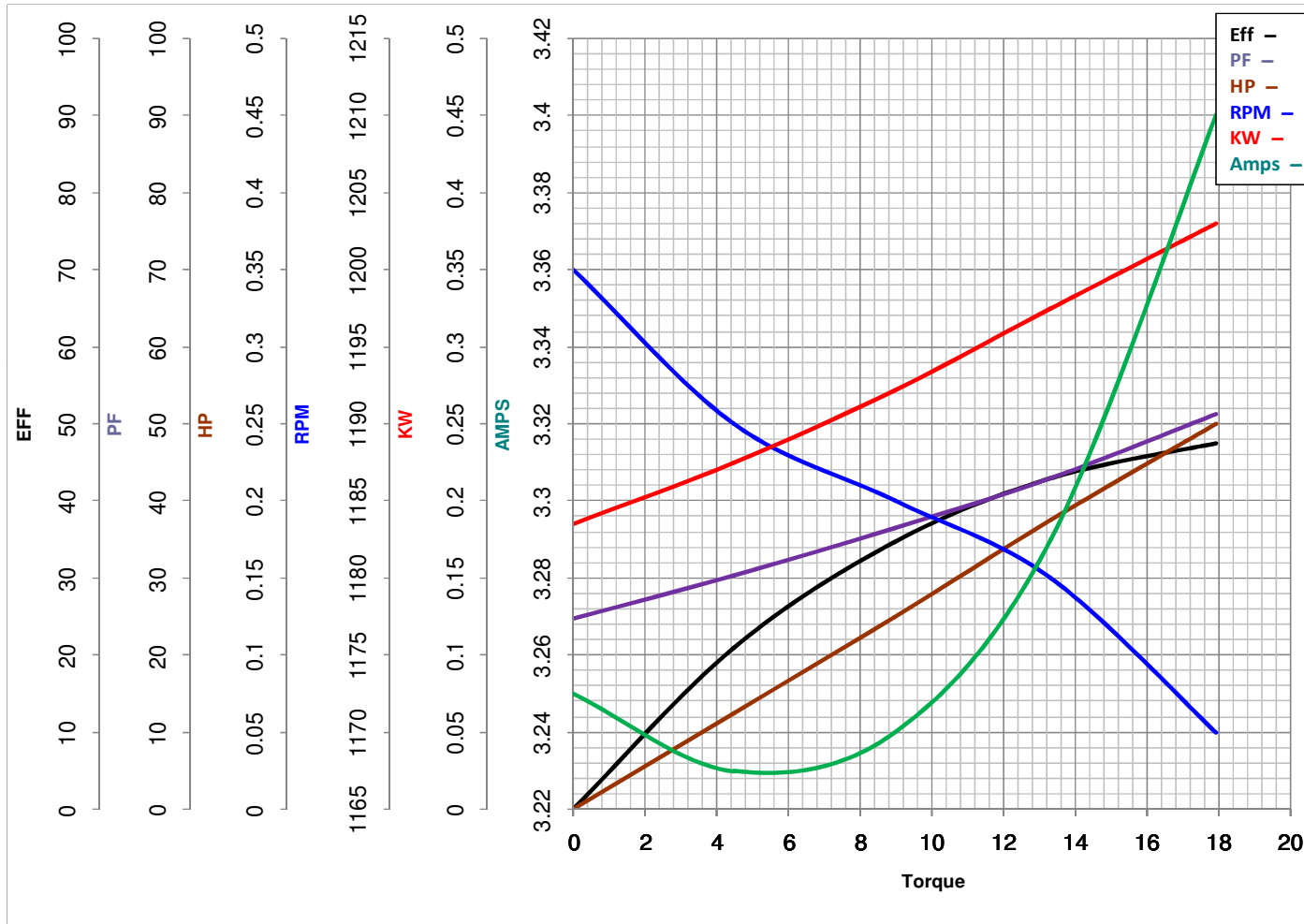
Customer

Curve at 230 Volts HP 0.25 PHASE 1
60 HZ
0.25 HP VOLTS 115/208-230

Model No 56C11G5306

Catalog No G650

HZ 60 RPM 1140



Torque in Oz.Ft

FL TORQUE 17.9 Oz.Ft
BD TORQUE 51.5 Oz.Ft
LR TORQUE 61.6 Oz.Ft

FL AMPS 6.8/3.1-3.4
PU TORQUE 42.2 Oz.Ft
LR AMPS 14

WINDING ZC604-3

Date 1/7/2019